

# UVT-LED

## UV-TRANSMITTANCE MONITORS



Backlit LCD screen displays clear, simple readings



Automatic wiping prevents fouling in all water conditions.

Automatic calibration check ensures accurate and stable readings.



**Instant On/Off, no warm up time**

**Ultra-small footprint**

**UVT-LED light source - NO MERCURY**

**Low power requirement**

**Long battery life**

**Choice of installation hardware**

Monitoring UV-Transmittance (UV-T) is an important part of UV system control optimization, preventing over or under-dosing of UV light. The UVT-LED is the world's first UV-T monitor to incorporate a UV-C LED light-source in place of a conventional mercury lamp. This ensures extremely stable readings in all conditions, over an extended lifetime. The unique, patented design utilizes a single lamp and sensor, eliminating drift seen in designs using multiple lamps and sensors.

It can be installed directly into a pipe, an open channel, or used offline. UV-Transmittance is measured automatically and displayed on the backlit LCD screen.

With its low operating cost, small footprint, and ultra-long UV-LED life, it's the perfect solution for reliable water testing.



**PIPE MOUNT - UVT-LED-PW using UVT0009 installation kit**



**OPEN CHANNEL MOUNT UVT-LED-PW using UVT0007 installation kit**



**HAND-HELD UVT using UVT-LED-H-WD or - NA**

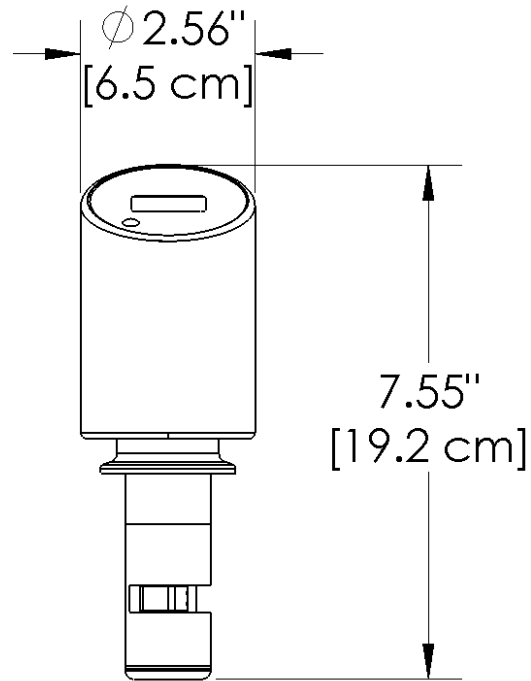
Parts covered by this product data sheet include: UVT-LED-H-WD, UVT-LED-NA, UVT-LED-PW, UVT0001, UVT0002, UVT0003, UVT0004, UVT007, UVT0008, UVT009, UVT0011, UVT0015, UVT0021

# UVT-LED UV-TRANSMITTANCE MONITORS

## Specifications

<b>Light Source:</b>	UV-C-LED
<b>Wavelength/Pathlength:</b>	254nm/1cm
<b>Measurement Range:</b>	10 -100% UV transmittance (UVT)
<b>Accuracy:</b>	+/- 1.0% (full scale)
<b>Repeatability:</b>	+/- 0.1% (full scale above 15% UVT) +/- 0.5% (full scale below 15% UVT)
<b>Resolution:</b>	0.1% UVT
<b>Measuring Interval:</b>	60 seconds
<b>Power Supply:</b>	24V DC (UVT-LED-PW) Battery (UVT-LED-H)
<b>Output:</b>	0-100% UVT (UVT-LED-H-WD, UVT-LED-H-NA only) 4-20mA (UVT-LED-PW only)
<b>Temperature Range:</b>	32-122 °F (0-50 °C)
<b>Weight:</b>	Less than 2.5 lbs (1.1 kg)
<b>Dimensions:</b>	7.55"H x 2.56" cap x 1.3" probe (19.1cm H x 6.4cm Dia)
<b>IP Rating:</b>	IP66
<b>Certifications:</b>	CE

## Outline and Dimensions



## Ordering Information

Part Number	Description
UVT-LED-PW	Process Transmittance Monitor (with wiper/auto cal.), 10m (33 ft), cleaning swab
UVT-LED-H-WD	Handheld, Off-Line Transmittance Monitor with power supply (outside of North America), case, cleaning swab x 1
UVT-LED-H-NA	Handheld, Off-Line Transmittance Monitor with power supply (North America only), case, cleaning swab x 1
UVT0001	Carrying Case for UVT-LED-H (included with UVT-LED-H-WD and UVT-LED-H-NA kits)
UVT0002	Power/Communication Cable for UVT-LED-PW, 10m (33 ft)- <i>included with UVT-LED-PW</i>
UVT0003	Power/Communication Cable for UVT-LED-PW, 20m (66 ft)
UVT0004	Power/Communication Cable for UVT-LED-PW, 30m (99 ft)
UVT0011	Cleaning Swabs (pack of 50)
UVT0009	Installation Kit, Stainless Steel Pipe (requires welding)
UVT0008	Installation Kit, Carbon Steel Pipe (2" NPT)
UVT0021	Installation Kit, PVC Pipe (2" NPT)
UVT0007	Installation Kit, Open Channel
UVT0015	Installation Kit, Sanitary Flow Cell (3")

Parts covered by this product data sheet include: UVT-LED-H-WD, UVT-LED-NA, UVT-LED-PW, UVT0001, UVT0002, UVT0003, UVT0004, UVT0007, UVT0008, UVT0009, UVT0011, UVT0015, UVT0021