

Industrial Contacting Conductivity Sensors



Heavy duty electrodes for boiler applications

Available with ATC for most makes and models of conductivity transmitters or controllers

0.1, 1.0 and 10.0 cell constants available (see details below)

Extended length version for mounting in cross

Sensorex manufactures a quality line of industrial grade conductivity electrodes for submersion or in-line mounting. All electrodes are constructed of stainless steel bodies and pins (316SS) and either teflon or peek insulator (for high temperature use "HT versions"). Automatic temperature compensation is available as an option. Model CS650HTTC is well suited for ultra-pure water applications while CS675HTTC and CS676HTTC are well suited for boiler applications. All boiler models are supplied with 6" long Teflon coated wires.

SPECIFICATIONS

Wetted Materials:

STAINLESS STEEL 316 BODY AND PINS,
TEFLON OR PEEK INSULATOR, AFLAS
O-RINGS

Cell constants:

CS650 MODELS: 0.1 AND 1.0 ONLY
CS675, CS676 MODELS: 0.1, 1.0 AND 10.0

Wire leads: CS650 MODELS: 6" TEFLON COATED, PVC
TEFZEL COATED WIRE (CONTACT FACTORY)

Wire designations:

red = body
black = center pin
grn/wht = Temperature

Temperature/Pressure Ratings

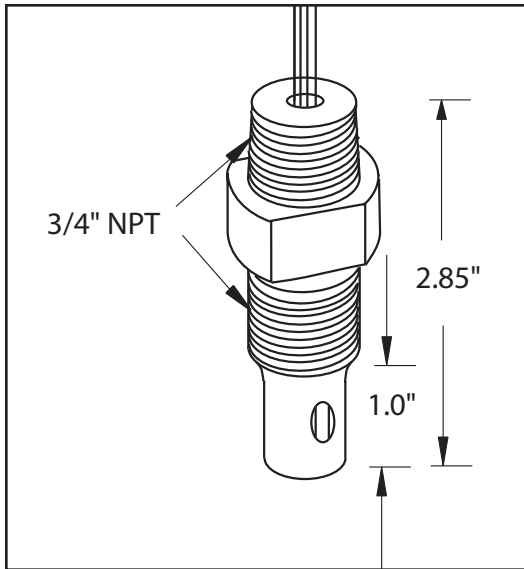
Model#	Temp. Max.	Pressure Max.
CS650HT/HTTC	RTD 200C/NTC 70C	250 psig
CS675/TC	100 C	250 psig
CS675HT/HTTC	200 C	250 psig
CS676/TC	100 C	250 psig
CS676HT/HTTC	200 C	250 psig
CS675HP/HPTC	100 C	300 psig
CS650/CS650HP	100 C	300 psig
CS676HP/HPTC	100 C	300 psig



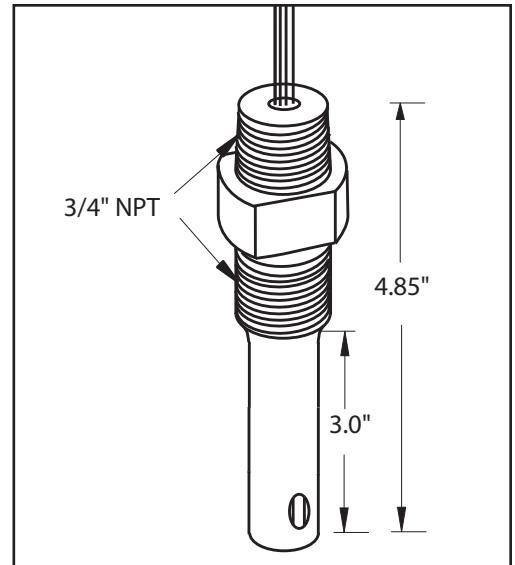
Parts covered by this specification sheet include:
CS650HT, CS650HTTC, CS675, CS675HT, CS675TC,
CS675HTTC, CS676, CS676HT, CS676TC,
CS676HTTC

Industrial Contacting Conductivity Sensors

CS675TC, CS675HTTC



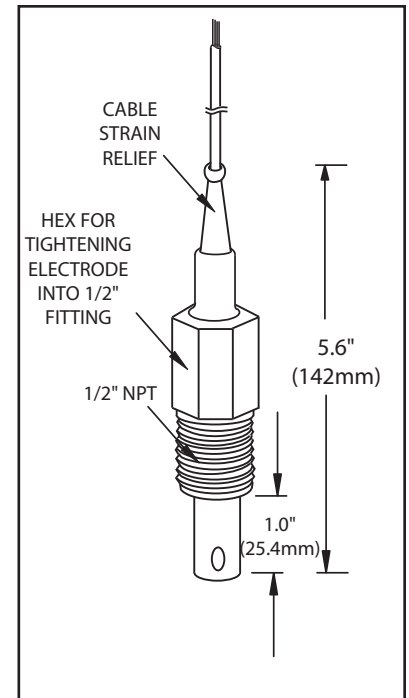
CS676TC, CS676HTTC,
CS676HPTC



Ordering Information

Model Number	Description	Specify
CS650TC	316SS conductivity sensor with 1/2" NPT	cell constant, TC
CS650HTTC	High Temp 316SS conductivity sensor with 1/2" NPT	cell constant, TC
CS675TC	316SS conductivity sensor with 3/4" NPT	cell constant, TC
CS675HTTC	High Temp 316SS conductivity sensor with 3/4" NPT	cell constant, TC
CS675HT	High Temp 316SS conductivity sensor with 3/4" NPT	cell constant only
CS676TC	Extended Length 316SS conductivity sensor, 3/4" NPT	cell constant, TC
CS676HTTC	High temp, ext length 316SS conductivity sensor 3/4" NPT	cell constant, TC
CS676HP	High temp, ext length 316SS conductivity sensor 3/4" NPT	cell constant only
CS675HPTC	High pressure 316SS conductivity sensor 3/4" NPT	cell constant, TC
CS650HP	High pressure 316SS conductivity sensor 1/2" NPT	cell constant only
CS650HPTC	High pressure 316SS conductivity sensor 1/2" NPT	cell constant, TC
CS676HP	Extended Length 316SS conductivity sensor, 3/4" NPT	cell constant only
CS676HPTC	Extended Length 316SS conductivity sensor, 3/4" NPT	cell constant, TC

CS650TC



Sensorex[®]
 11751 Markon Dr.
 Garden Grove, CA 92841 USA
 Tel: 714-895-4344
 Fax: 714-894-4839
 E-mail: info@sensorex.com
 www.sensorex.com

Parts covered by this specification sheet include:
 CS650HT, CS650HTTC, CS675, CS675HT, CS675TC,
 CS675HTTC, CS676, CS676HT, CS676TC,
 CS676HTTC