

CS8000TC - Cooling Tower Conductivity Sensor and Flow Cell



Quick disconnect design saves time and money

Installs in seconds! No tools necessary

Flat surface design resists coating

Internal Temperature Sensor

Great for cooling towers

The new CS8000TC sensor is an easy-to-install conductivity sensor, ideally suited for cooling TDS monitoring. A keyed flange is used to align the sensor in the ideal orientation for trouble free monitoring. Sensor removal is simple with the detachable S855 cable assembly. There's no need to pull the cable through conduit -- just hand-loosen the knurled nut and remove the sensor.

Temperature compensation is included with a choice of sensor types, 10K NTC, 30K NTC, Pt1000 RTD & Pt100 RTD to match the requirements of your conductivity transmitter or controller.

Flush mount graphite measuring surface is easily cleaned with detergent and a soft bristled brush.

Specifications

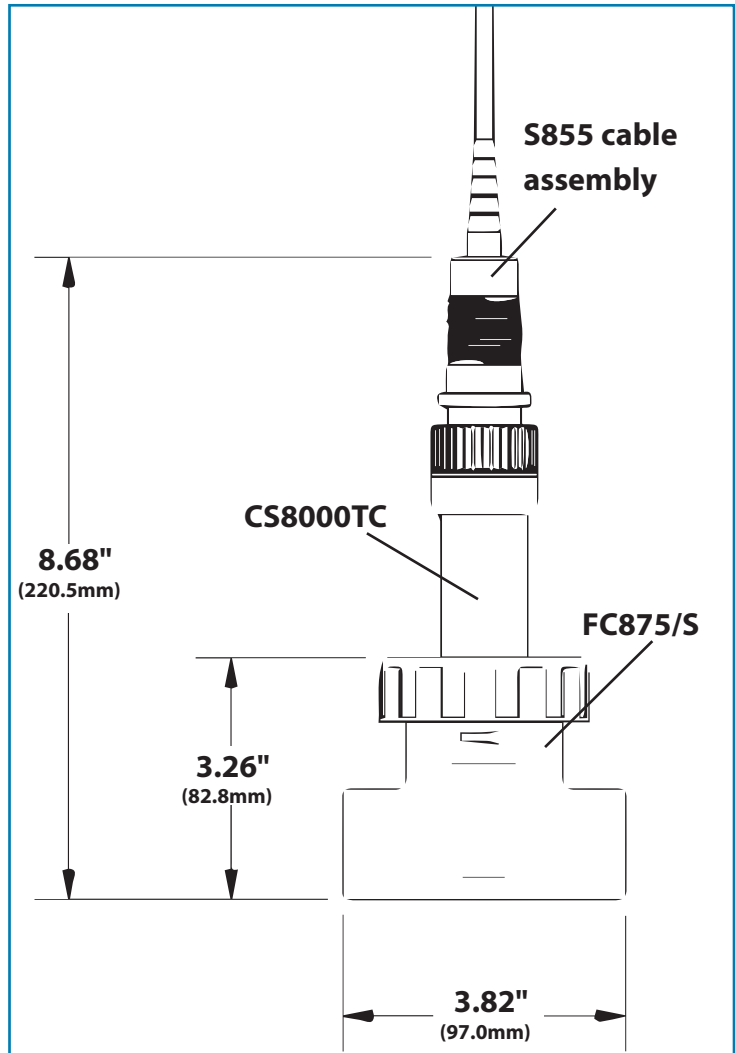
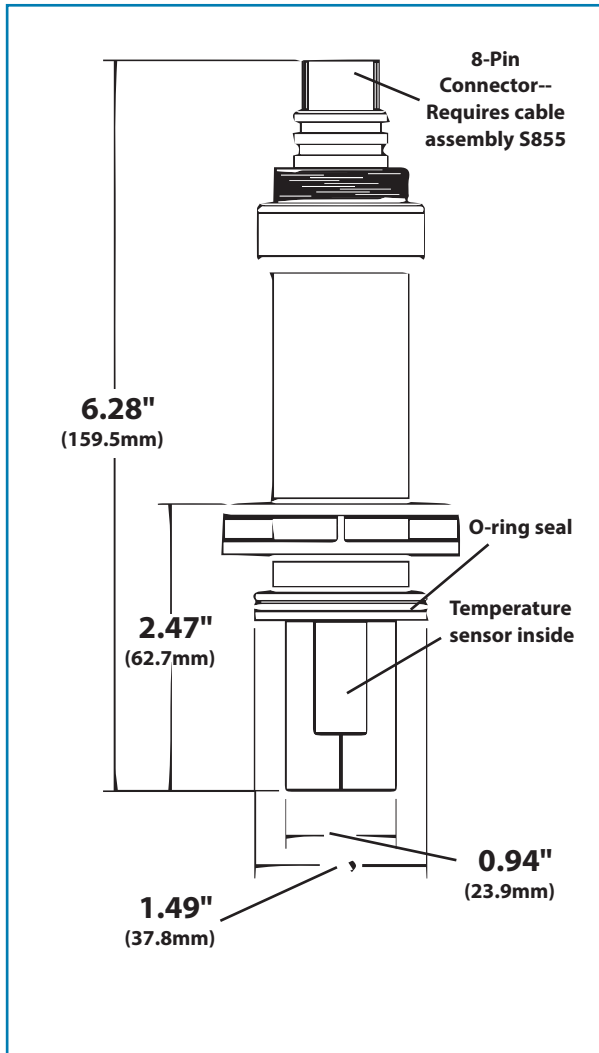
Range	k=1.0 +/-10%
Wetted Materials	CPVC, Graphite, Viton®
Max Temperature/Pressure	60 deg C(140 deg F)/100 psig
Temperature Compensation	Choice of 10K or 30K NTC or Pt100 or Pt1000 RTD.

CS8000TC - Cooling Tower Conductivity Sensor

OUTLINE & DIMENSIONS

CS8000TC

CS8000TC + Flow cell + Cable Assembly



Ordering Information

Part Number	Description
CS8000TC	Cooling Tower Conductivity sensor, CPVC construction, graphite measuring surface, intergrated temperature sensor (specify). Requires flow cell and cable
FC875/S	Flow cell, CPVC construction for CS8000TC, 3/4" socket connection
FC875/T	Flow cell, CPVC construction for CS8000TC, 3/4" NPT threaded connection
S855/10/TL/TL	Cable assembly for CS8000TC, 10ft Length, tinned wires
S855/20/TL/TL	Cable assembly for CS8000TC, 20ft Length, tinned wires



11751 Markon Dr.
Garden Grove, CA 92841 USA
Tel: 714-895-4344
Fax: 714-894-4839
E-mail: info@sensorex.com
www.sensorex.com