

Low Cost Submersion and In-Line pH Electrodes



S270 Series Ryton Sensors



S260 Series Ryton Sensors



S222 Series Quick Disconnect Models

Economical design for in-line or submersion use

Choose from single or double junction models

Threaded 1/2" or 3/4" NPT connections

Choose from spherical or flat pH measuring surfaces

Special models for low ionic and other specialty applications available

This series of electrodes is designed to provide an economical multi-purpose solution for in-line or submersion pH measurements. Based on our proven S200C bulb and S350CD flat surface pH glass technology, these rugged and durable electrodes are available in Ryton nipples with 1/2" or 3/4" NPT threads; or in our durable epoxy body with or without quick disconnect top caps. Choose from single or double junction designs, flat or recessed measuring surface configurations and cable lengths and connectors as required. For special configurations such as low ionic models, fluoride resistant pH glass and other specialty sensors, please contact the Sensorex sales or technical support department.

Specifications

Measuring Range	0-14 pH (Sodium ion error >12.3pH)
Body material	Epoxy (S200 and S222 Series) or Ryton (S265-S269 Series, S271CD and S272CD)
Max Temperature/Pressure	S265-S269 Series : 32-176 deg F (0-80 deg C)/70 psig S271CD and S272CD : 170 deg F (75 de C)/100 psig, 180 deg F (81 deg C)/85 psig, 212 deg F (100 deg C)/50 psig
Connector	BNC, tinned wires (other connectors available for an additional charge)
Cable length	30" or longer for S200 Series lengths at additional cost user specified (Cap-cable S653 required for S222 Series). 10ft length for S265-S269 series, 10ft waterproof cable for S271CD and S272CD
Process Connection	1/2" or 3/4" MNPT for submersion or in-line

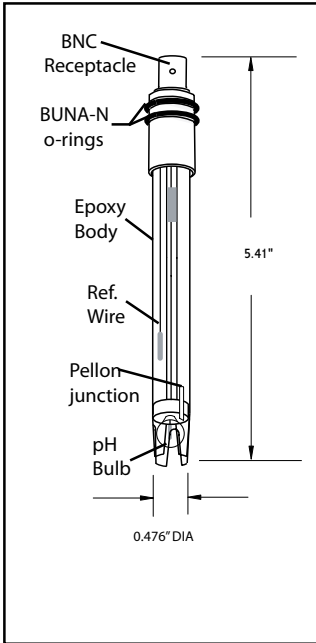
Parts covered by this product data sheet include:

S200C, S200CD, S222C, S222CD, S223C, S223CD, S224C, S224CD, S265C-S269CD, S271CD and S272CD, S272CDTC, S353CD, S354CD

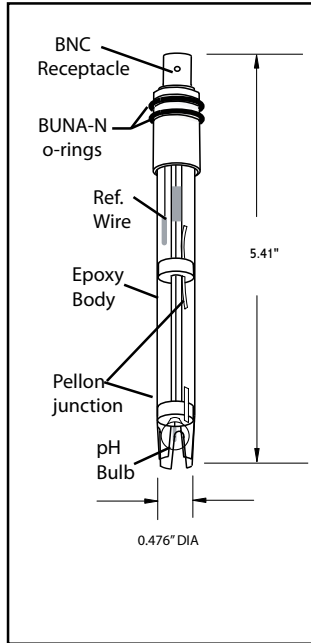
Low Cost Submersion and In-Line pH Electrodes

Designed to provide an economical multi-purpose solution for in-line or submersion pH measurements.

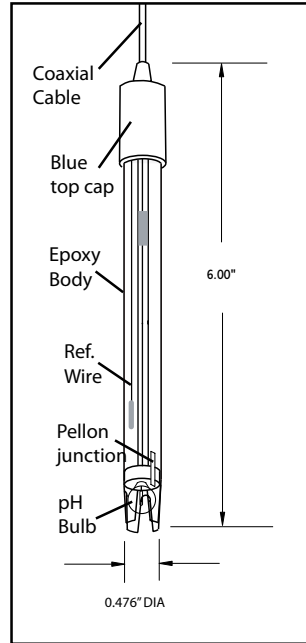
S222C



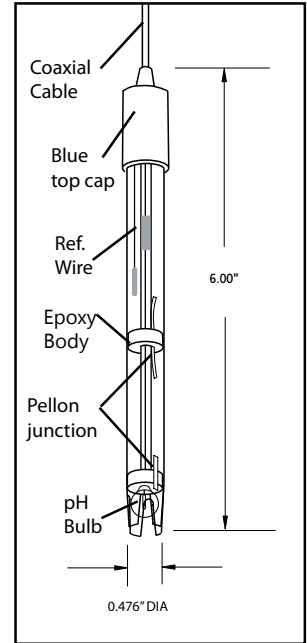
S222CD



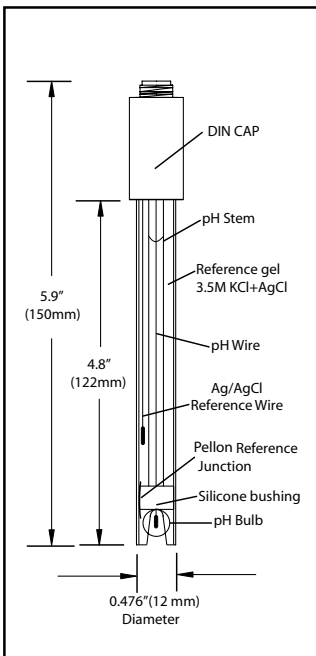
S200C



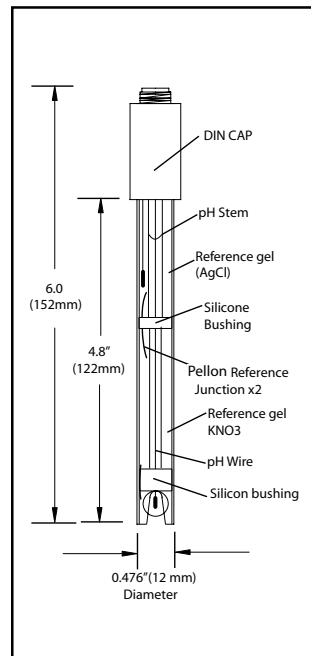
S200CD & S200CD-LC



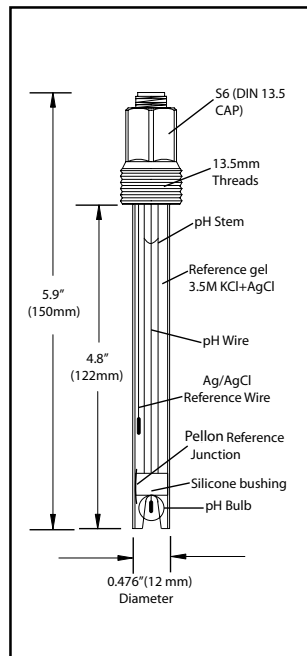
S223C



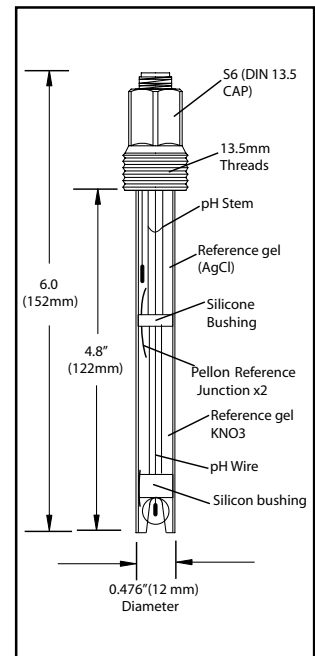
S223CD



S224C



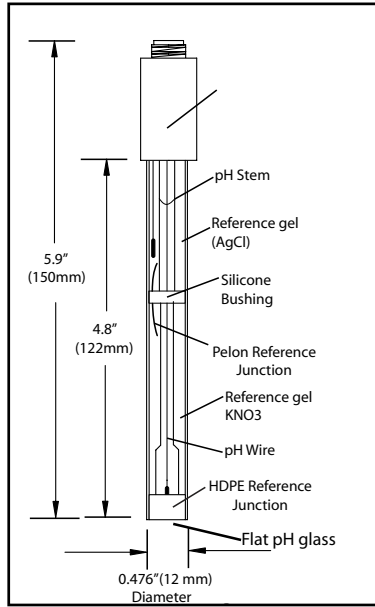
S224CD



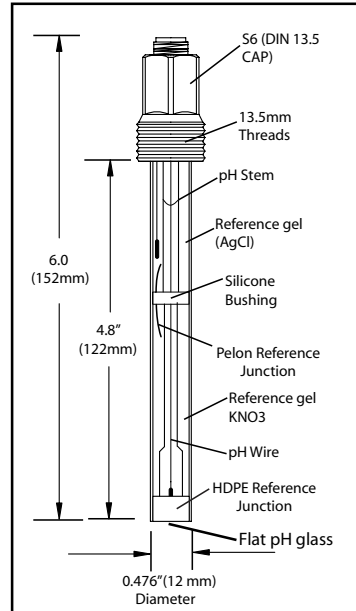
Low Cost Submersion and In-Line pH Electrodes

Designed to provide an economical multi-purpose solution for in-line or submersion pH measurements.

S353CD

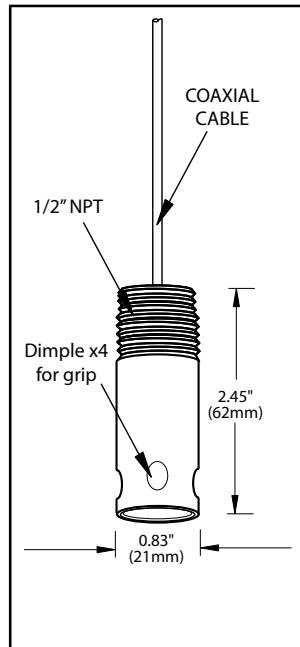
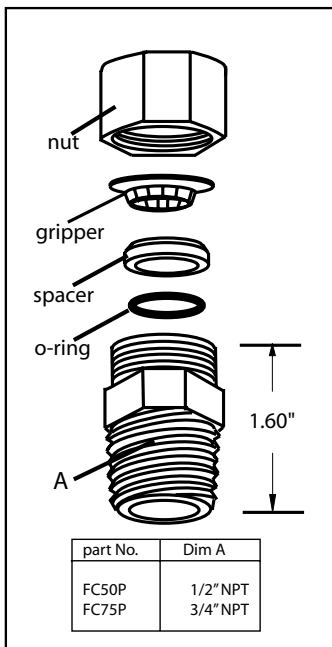


S354CD

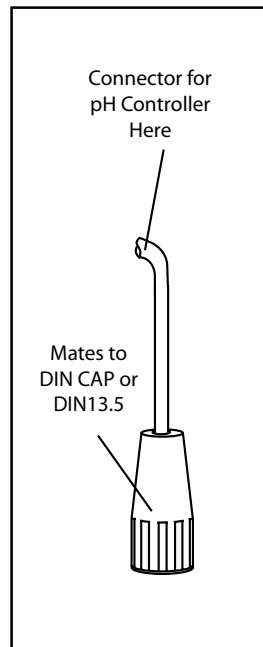


S653 Cap and Cable for Conduit use

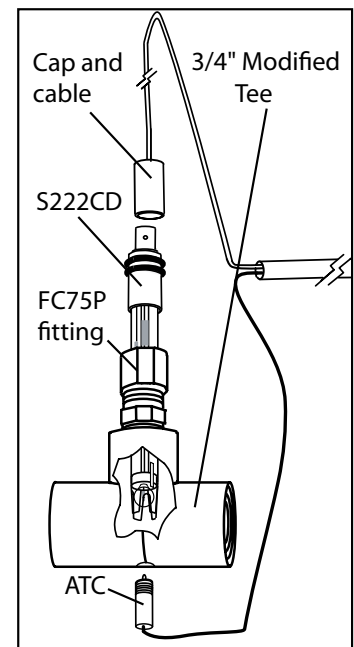
FC50P and FC75P



DIN-EL Ext. Cable for DIN Cap Models



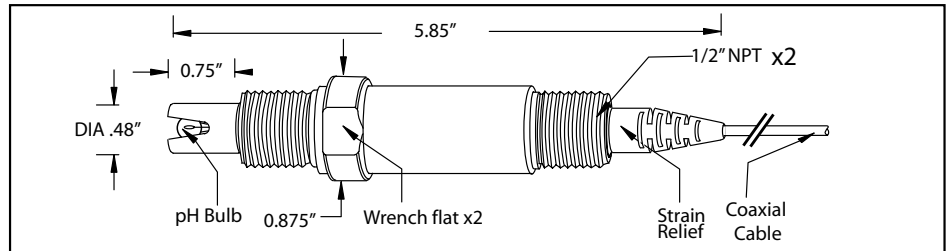
FC75TC Installation



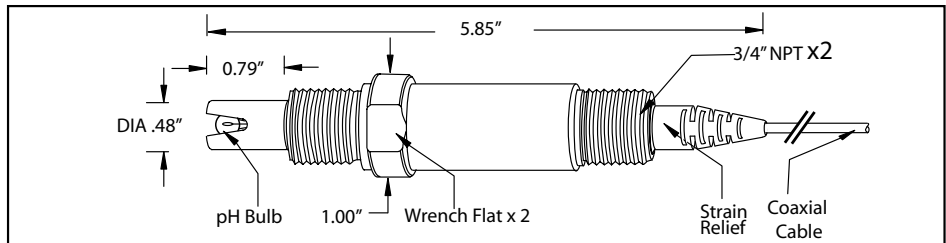
Low Cost Submersion and In-Line pH Electrodes

Designed to provide an economical multi-purpose solution for in-line or submersion pH measurements.

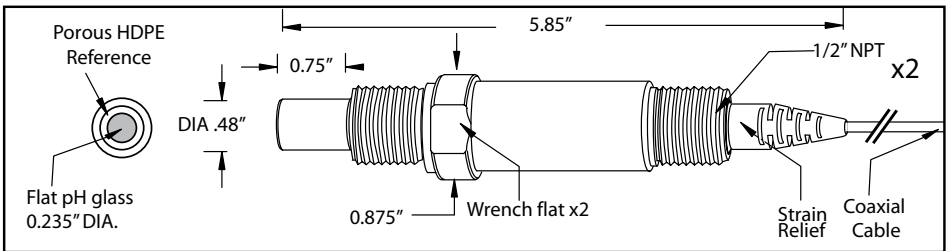
S265C/CD



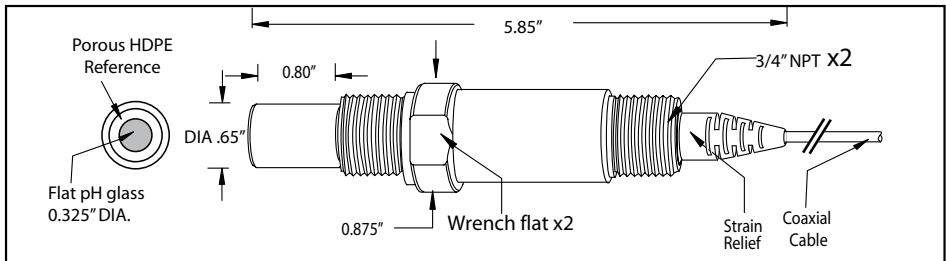
S267C/CD



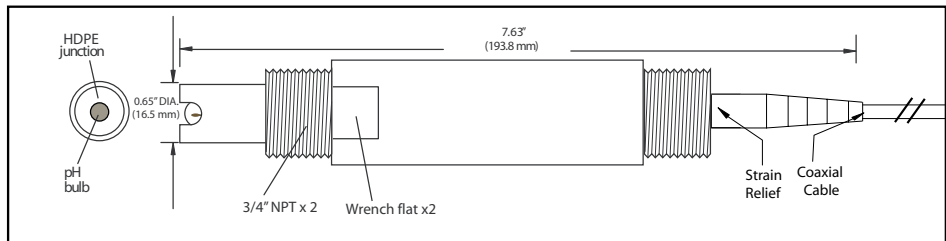
S268CD



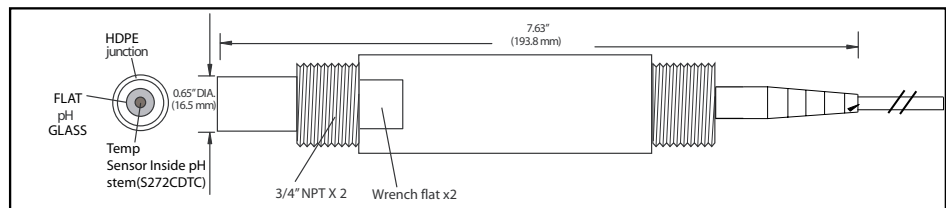
S269CD



S271CD



S272CD & S272TC



Low Cost Submersion and In-Line pH Electrodes

Designed to provide an economical multi-purpose solution for in-line or submersion pH measurements.

Ordering Information

These economical sensors are submersion and in-line ready by utilizing the 1/2" or 3/4" MNPT threads on the sensor. 10ft cable length is standard. Special lengths available upon request.

pH Sensors	Body Material	Key Features
(To order an ORP model instead of pH, simply add - ORP to the model numbers below.)		
S265C	Ryton®	Single junction 1/2" NPT spherical bulb
S265CD	Ryton®	Double junction 1/2" NPT spherical bulb
S267C	Ryton®	Single junction 3/4" NPT spherical bulb
S267CD	Ryton®	Double junction 3/4" NPT spherical bulb
S268CD	Ryton®	Double junction 1/2" NPT flat surface
S269CD	Ryton®	Double junction 3/4" NPT flat surface
S271CD	Ryton®	Double junction 3/4" NPT spherical bulb, heavy duty
S272CD	Ryton®	Double junction 3/4" NPT flat surface , heavy duty
S272CDTC	Ryton	Double junction 3/4" NPT flat surface , heavy duty with Temperature Sensor, Pt100 or Pt1000RTD only

Low Cost Submersion and In-Line pH Electrodes

Designed to provide an economical multi-purpose solution for in-line or submersion pH measurements.



Mounting glands



Color coded pH buffers



TX100 2-wire pH transmitter

Ordering Information

These economical sensors can be used for submersion or in-line use. Mounting is accomplished by ordering the appropriate mounting gland listed below.

Sensor	Type
S200C	Single junction spherical style bulb
S200CD	Double junction spherical style bulb
S200CD-LC	Low ionic, double junction, spherical style bulb
S222C	Single junction spherical style bulb-Quick disconnect
S222CD	Double junction spherical style bulb-Quick disconnect
970796	Double junction flat pH glass-Quick disconnect
S223C	Single junction spherical style bulb- DIN Cap
S223CD	Double junction spherical style bulb-DIN Cap
S353CD	Double junction flat pH glass-DIN Cap

DIN 13.5 Threaded Cap Sensors - (Do not require mounting fitting. Mount via DIN 13.5 thread)

Sensor	Type
S224C	Single junction spherical style bulb- DIN 13.5 Cap(S6)
S224CD	Double junction spherical style bulb-DIN 13.5 Cap(S6)
S354CD	Double junction flat pH glass-DIN 13.5 Cap(S6)

Accessories

FC50P	1/2 " NPT mounting gland for 12mm electrodes
FC75P	3/4 " NPT mounting gland for 12mm electrodes
FC75TC	3/4 "flow cell, mounting gland and ATC cable for 12mm electrodes
S653	Cap Cable assembly for S222 series (Specify cable length and connector termination when ordering)
EXT Cable - DIN EL/"X"	Extension cable for DIN cap and DIN 13.5 electrodes (Series S223, S224, S354)
TX100	4-20mA loop-powered pH transmitter
B104	1 pint 4.01 pH Buffer
B107	1 Pint 7.00 pH Buffer
B110	1 Pint 10.00 pH Buffer