



TX100 pH/mV Loop-Powered Transmitter



TX100 SPECIFICATIONS

Measuring Range (pH)	:0.00 to 14.00pH, 0.01 pH resolution, +/- 0.01 accuracy
Measuring Range (ORP/mV)	:-1000mV to 1000mV, 1mV resolution, +/- 2mV accuracy
Temperature Range	:-20 deg C to 110 deg C / -4 deg F to 230 deg F, 0.1 deg C/F resolution
Current Output Range	:.200mA to 24mA , .01mA Resolution, +/-0.005mA accuracy, 500V input/output isolation
Enclosure	:NEMA 1,4,4X,6,12,13 IP68, ABS case with push-button control pad HWD: 3.9" (99.1 mm) x 3.9" (99.1 mm) x 2.9" (74.7mm)
Weight	:approx. 1lb (.45kg)
Mounting Options	:Wall , Panel, Din Rail and Pipe.
Conduit Openings	:2 each 3/8" NPT openings (cordgrips included)
Ambient Temperature	:Transmitter Service, 0 deg C to 60 deg C / 32 deg F to 140 deg F
Ambient Humidity	:0 to 95%, non-condensing
Location	:Designed for non-hazardous areas
Temperature Input	:-2-wire Pt1000 RTD with automatic compensation
Max. Sensor-to-Transmitter Distance	30 feet (9.1 meters)
Power	12-24 VDC, max 600Ohm load resistance



Voltage isolated (500 V) 4-20mA Output

Non-volatile memory retains all stored configurations and calibration data

Output Current Indicator for Out-of-Range and Hold Conditions prevents discrepant readings

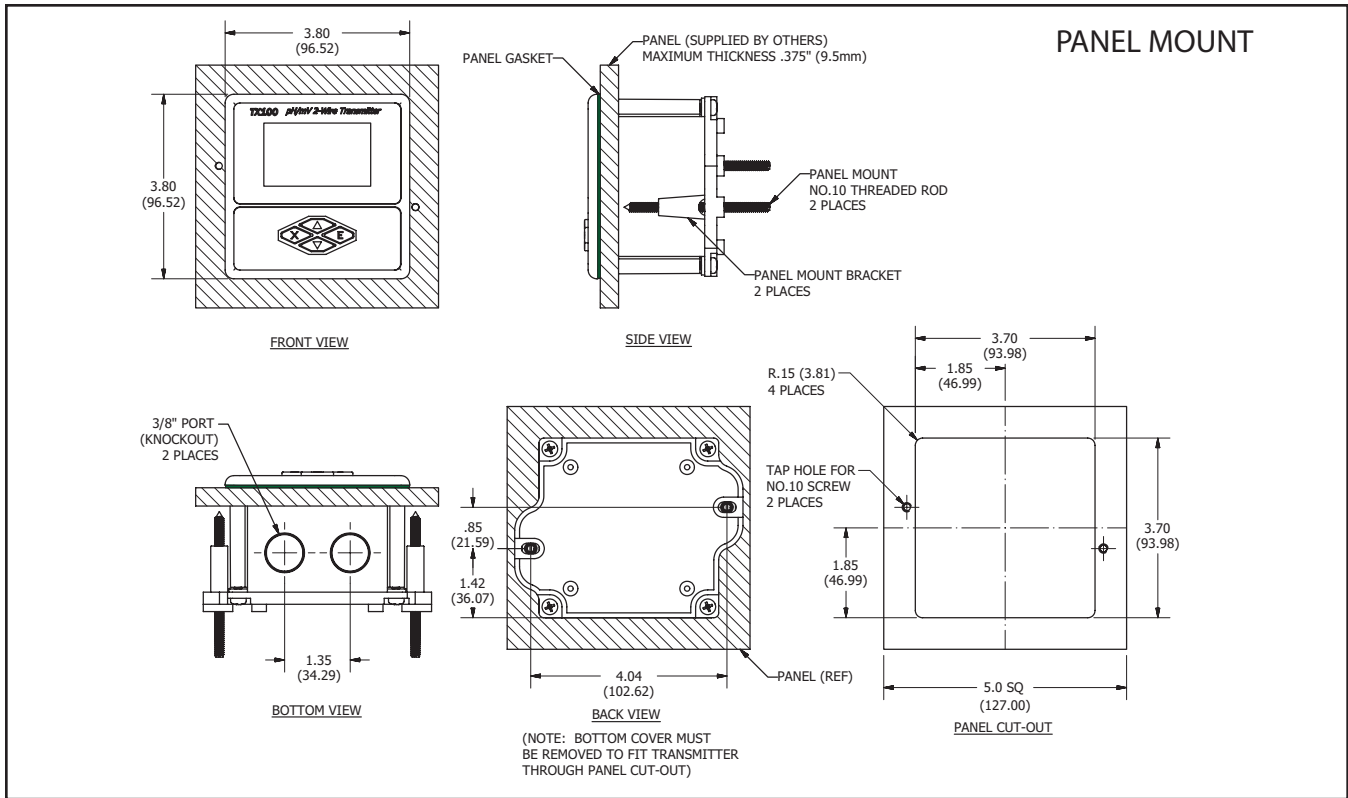
Large segmented display indicates pH or mV and Temperature simultaneously

Flashing screen Icons indicate mode of operation

Programmable Probe Clean reminder flashes when it is time to clean probe (programmable from 1 to 250 days)

The TX100 pH/mV transmitter is a loop-powered 4-20mA transmitter with a wide range of useful features and programmable options. 5 buffer choices are available in 2-point calibration mode. The 4-20mA output is scaleable in pH or mV units and has 500V input to output isolation. Temperature is always displayed and is selectable in degrees C or deg F. All stored parameters and calibration data are retained in the non-volatile memory during transmitter power down or power loss. A useful probe clean reminder icon flashes when it is time to clean the probe. Probe cleaning interval is user programmable from 1 to 250 days. The TX100 can be used for wall mounting, panel mounting, pipe mounting and DIN-rail mounting. All mounting hardware is included including cable grips for inlet/outlet to box. The case meets Nema and IP ratings for water resistance.

TX100 pH/mV Loop-Powered Transmitter



Wall Mount, DIN Rail Mount and Pipe Mount Hardware are also included

Ordering Information

The TX100 2-wire isolated pH/ORP transmitter is supplied complete with mounting hardware for Panel, Wall, Din Rail and Pipe mounting and Instructions. Power supply is not included.

Model

TX100 Isolated pH/ORP 2-wire transmitter

Accessories

- BP104-100 pH4 powdered buffer sachet pillows, 100mL
- BP107-100 pH7 powdered buffer sachet pillows, 100mL
- BP110-100 pH10 powdered buffer sachet pillows, 100mL
- BP104QH-100 255mV ORP powdered buffer sachet pillows, 100mL
- BP107QH-100 90mV powdered buffer sachet pillows, 100mL

